

OACIS

Open Architecture Control Integrated System

How to Set Allen-Bradley EtherNet/IP with OACIS-1XC_2XC

Version 01.10



www.atainc.com

ata@atainc.com

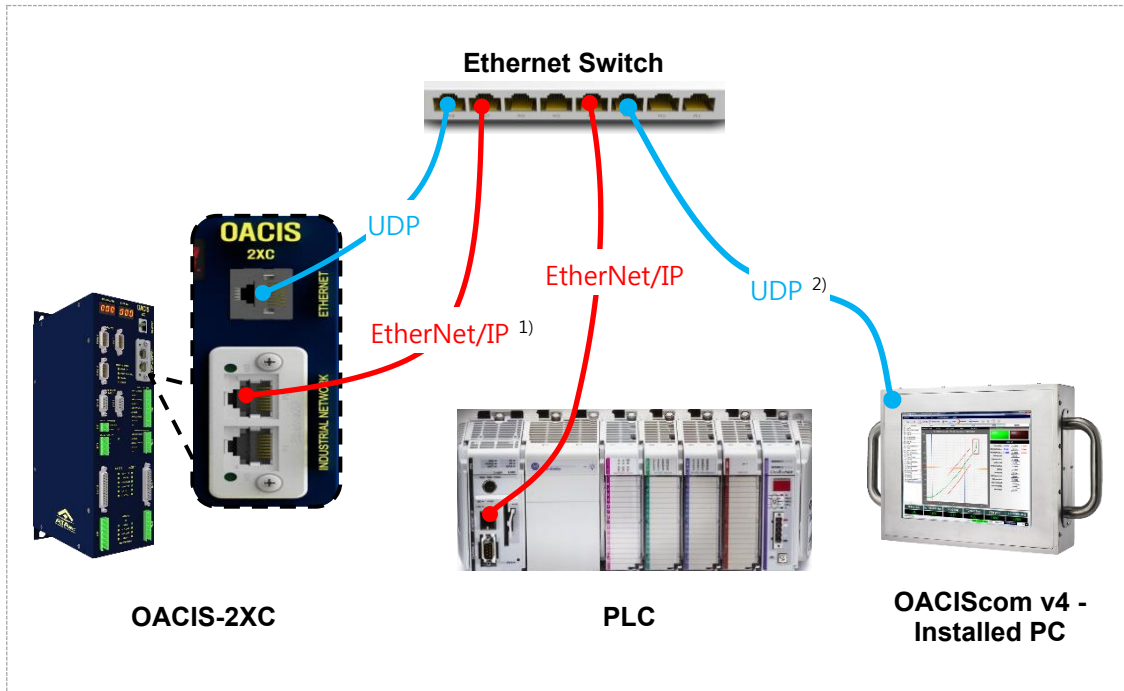
All Rights Reserved

CONTENTS

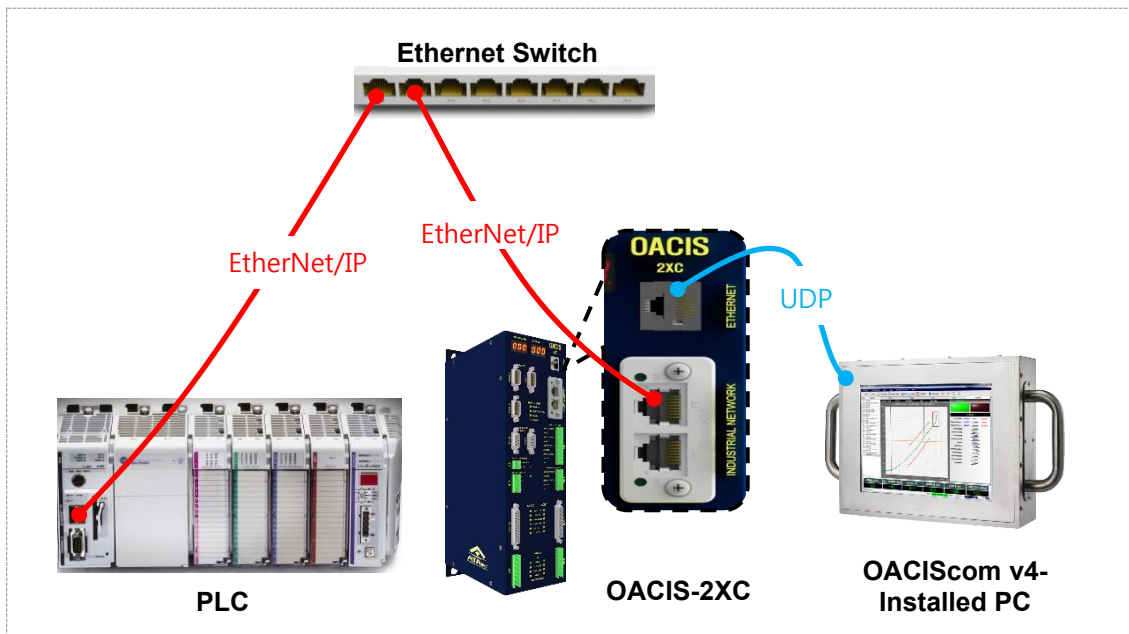
| | |
|--|-----------|
| I. SYSTEM CONFIGURATION | 3 |
| A. Overall Ethernet Connection | 3 |
| B. RSLogix5000 (PLC)..... | 4 |
| APPENDIX #1: ANY BUS DATA MAP | 10 |
| A. DIO Type | 10 |
| B. Real Type | 10 |
| C. Serial Type..... | 10 |
| REVISION | 13 |

I. SYSTEM CONFIGURATION

A. Overall Ethernet Connection



- During the initialization process, OACIS IP address shows on FND of the front panel for 2 seconds.
- Overall wiring can be different depending on the purpose of use. Generally, we recommend the connection below.

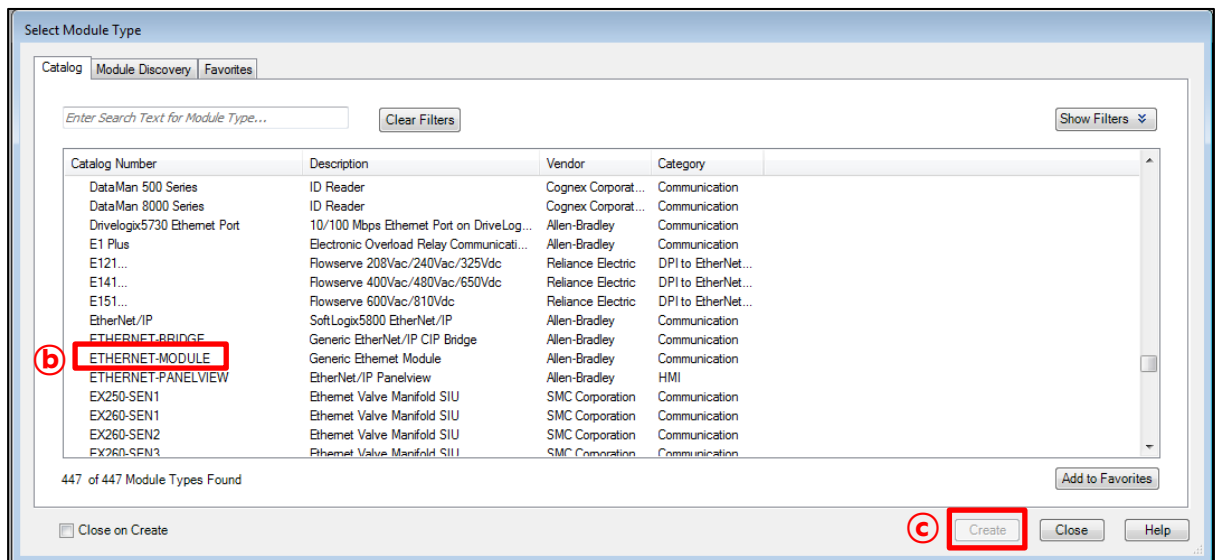
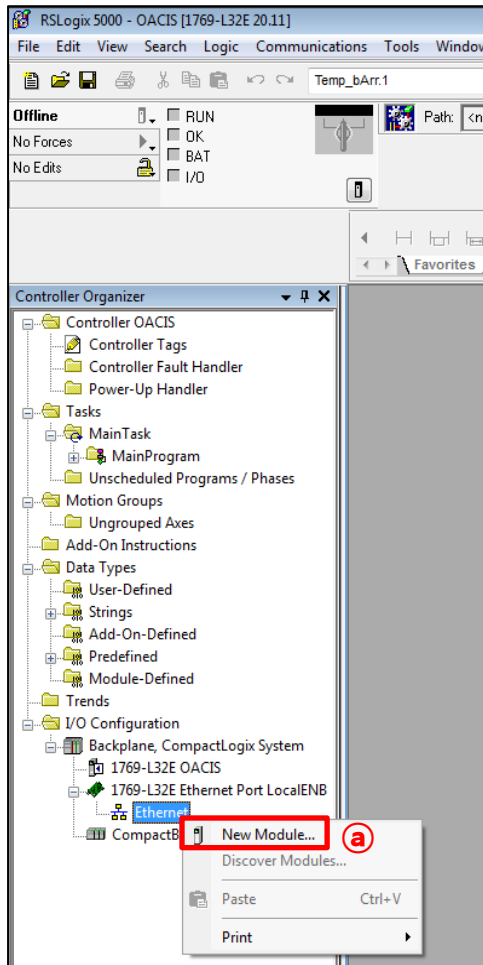


- 1) Industrial Network Protocol
- 2) User Datagram Protocol

MISC

B. RSLogix5000 (PLC)

: After you created a new controller, click “New Module” of Ethernet item.



- a. Click “New Module”.
- b. Select “ETHERNET-MODULE
- c. Press “Create”.

New Module

Type: ETHERNET-MODULE Generic Ethernet Module
Vendor: Allen-Bradley
Parent: LocalENB

Name: **a** OACIS

Description:

Comm Format: **b** Data - SINT

Address / Host Name

c IP Address: 192 . 168 . 3 . 3

Host Name:

d

| | Assembly Instance: | Size: | |
|----------------|--------------------|-------|---------|
| Input: | 100 | 244 | (8-bit) |
| Output: | 150 | 244 | (8-bit) |
| Configuration: | 1 | 0 | (8-bit) |

Status Input:

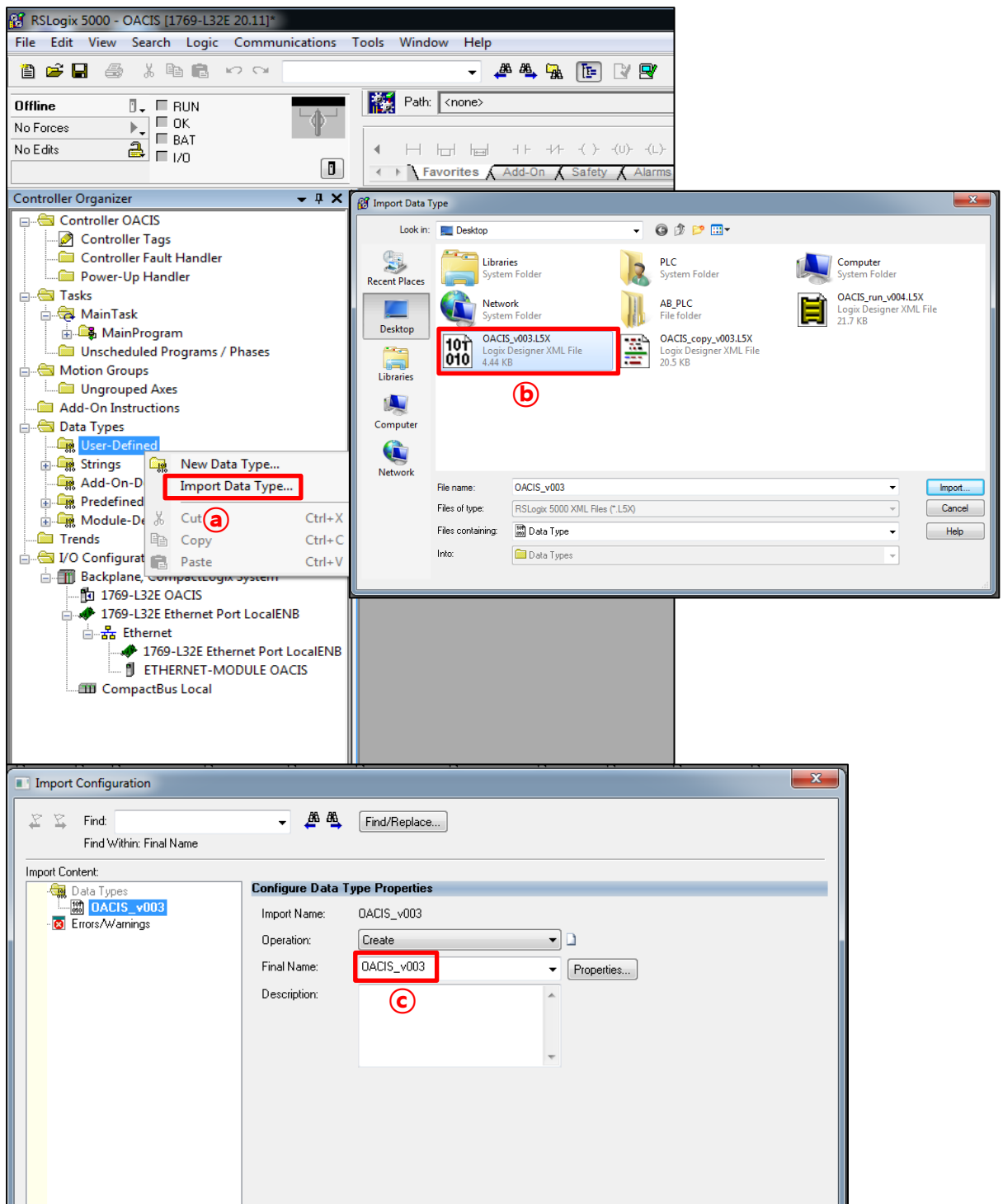
Status Output:

Open Module Properties

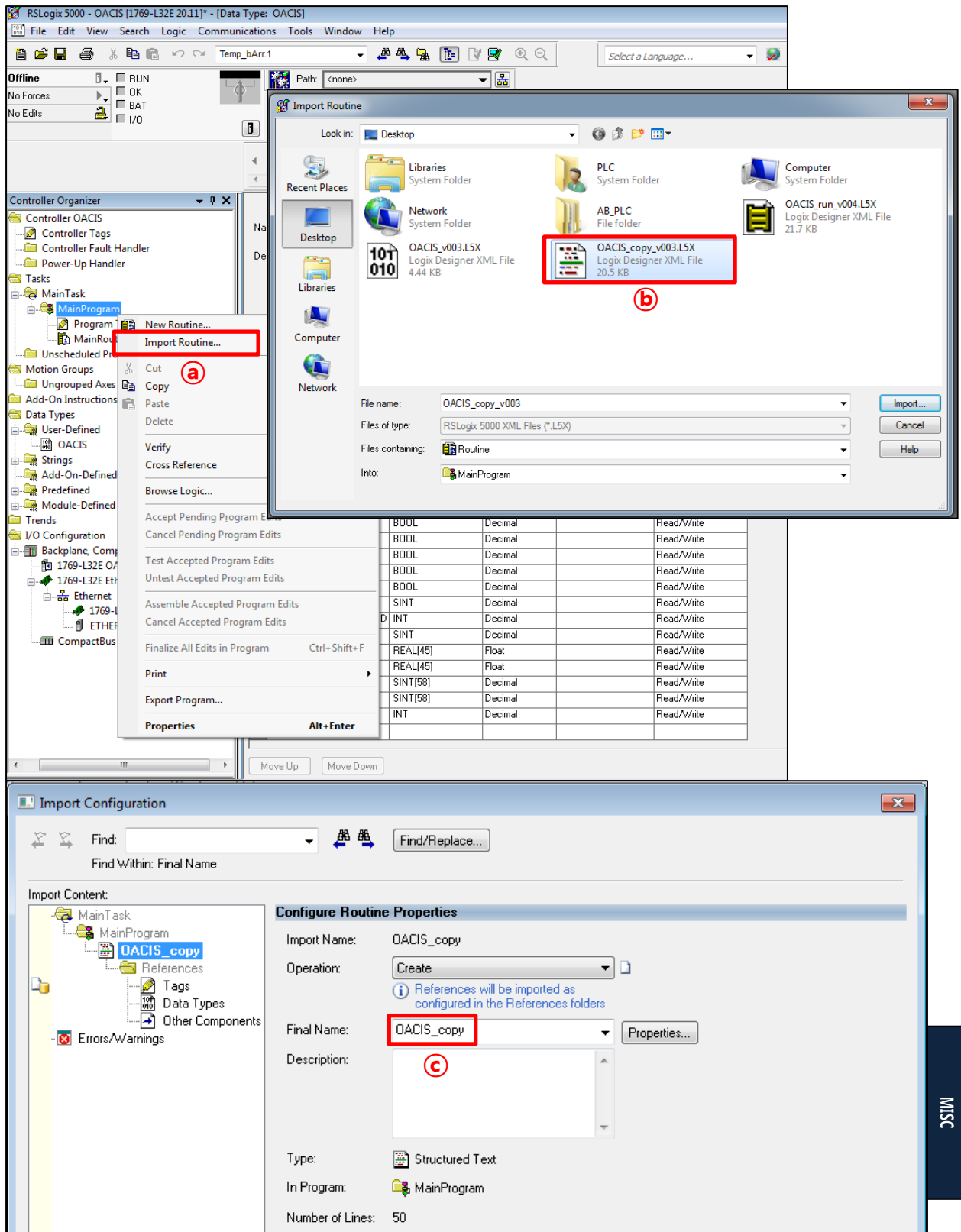
e OK Cancel Help

: This is an ethernet module setting for OACIS communications

- Type in its Name. The name should be unique.
- Select "Data - SINT" for Comm Format
- The default IP address is 192. 168. 3. 3
- The above connection parameters are the important information for OACIS connection. Input and Output packet size are 244 bytes respectively.
- Click "OK" to save it.



- After creating an ethernet module, users first select "Import Data Type" at User-Defined of Data Types.
- Import "OACIS_v003.L5X" Data Type among three OACIS templates.
- Users can change the Final Name for their convenience but it should be unique. And then press "OK".



- a. After importing the OACIS Data Type, users need to import OACIS Sub Routine. Tasks → Main Task → Main Program → Click “Import Routine”.
- b. Select “OACIS_copy_v003.L5X” and import it.
- c. Users can change the Final Name for their convenience but it should be unique. And then press “OK”.

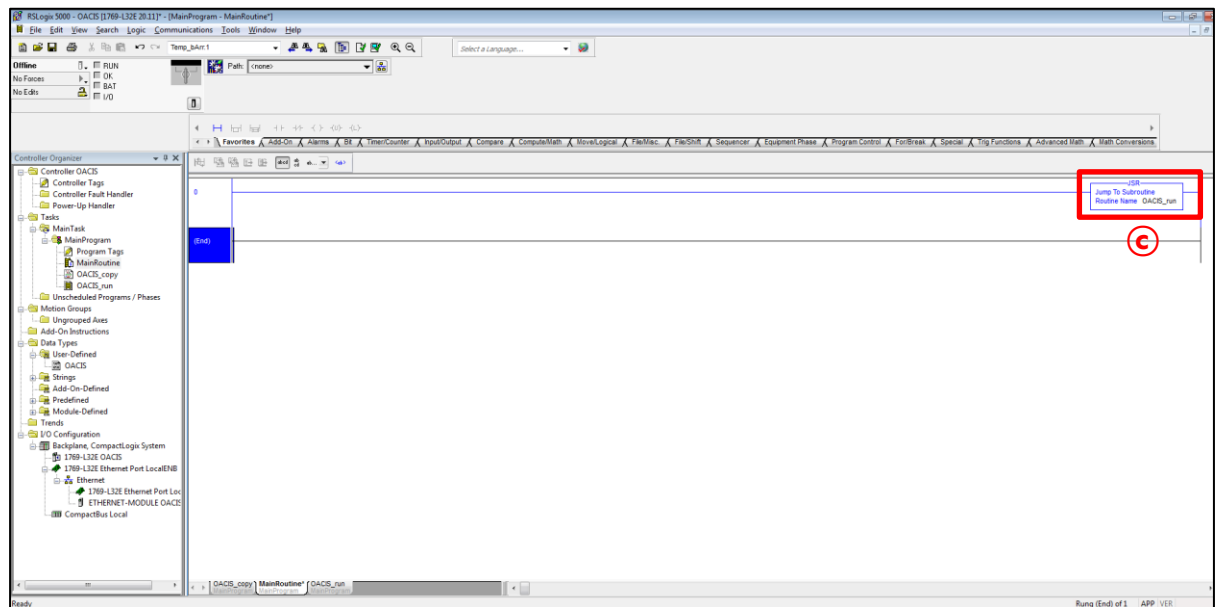
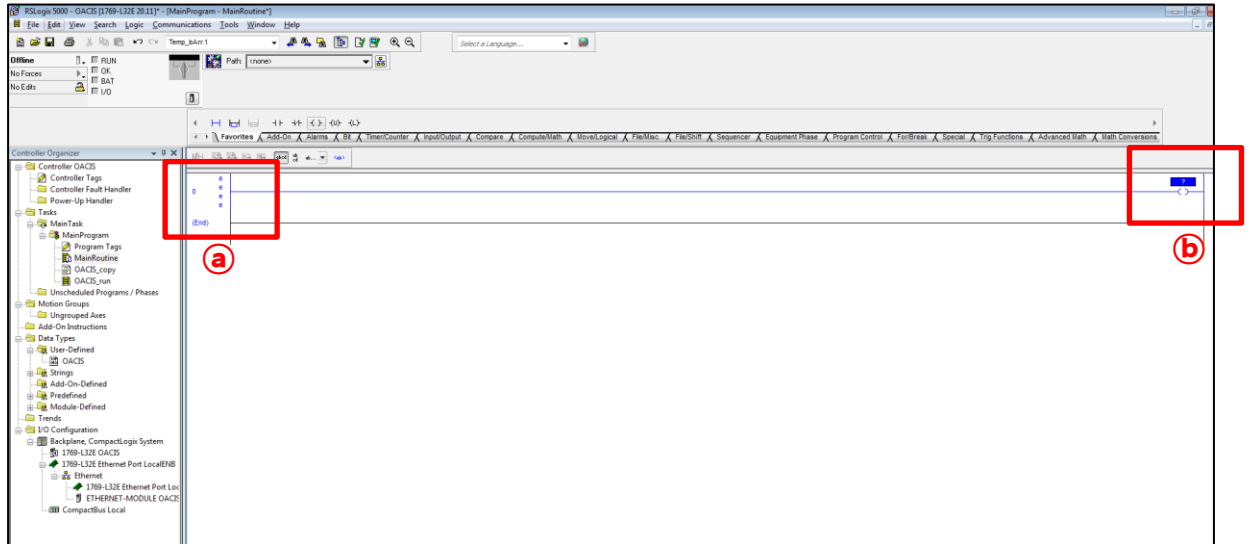
The screenshot displays the RSLogix 5000 software interface. The main window shows the Controller Organizer with the MainProgram selected. A context menu is open over the MainProgram, with 'Import Routine...' highlighted (marked with 'a'). The 'Import Routine' dialog box is open, showing the Desktop as the location. The file 'OACIS_run_v004.L5X' is selected (marked with 'b'). The dialog shows the file name 'OACIS_run_v004', the file type 'RSLogix 5000 XML Files (*.L5X)', and the file is contained in the 'Routine' folder within the 'MainProgram'.

The 'Import Configuration' dialog box is also open, showing the 'Configure Routine Properties' section. The 'Import Name' is 'OACIS_run', the 'Operation' is 'Create', and the 'Final Name' is 'OACIS_run' (marked with 'c'). The 'Description' field is empty. The 'Type' is 'Ladder Diagram' and the 'In Program' is 'MainProgram'. The 'Number of Rungs' is 11.

| Variable | Address | Format | Access |
|----------|---------|---------|------------|
| SINT | | Decimal | Read/Write |
| DINT | | Decimal | Read/Write |
| SINT | | Decimal | Read/Write |
| REAL | [45] | Float | Read/Write |
| REAL | [45] | Float | Read/Write |
| SINT | [58] | Decimal | Read/Write |
| SINT | [58] | Decimal | Read/Write |
| INT | | Decimal | Read/Write |

- After importing the OACIS_copy Sub Routine, then users need to import "OACIS_run_v004" Sub Routine. Tasks → Main Task → Main Program → Click "Import Routine".
- Select "OACIS_run_v004.L5X" and import it.

c. Users can change the Final Name for their convenience and then press “OK”.



: If you imported all three OACIS templates and saved them, add OACIS-run Sub Routine on Main Routine.

- a. Enter into the Edit mode by clicking the left-hand side of the first Rung
- b. Add an Output Energize (OTE) of Program Control onto the right-hand side of the rung.
- c. Type in “OACIS run” as Routine Name on Jump to Subroutine (JSR)

APPENDIX #1: ANY BUS DATA MAP

: PLC communicates on the bus with OACIS via Industrial Network. Max. process data is 244 bytes between OACIS and PLC.

A. DIO Type

- Total length of Digital Outputs and Digital Inputs is 6 bytes respectively. The byte index ranges from 0 to 5. Each item size is 1 bit.

B. Real Type

- Total length of Real is 180 bytes respectively. The byte index ranges from 6 to 185. Each item size is 4 bytes.
- Real in PLC is the counterpart of global variables in OACIS.
- **Caution:** The type size of OACIS GV and PLC Real is different. The size of OACIS GV is 8 bytes but the one of PLC Real is 4 bytes. When OACIS sends or receives GV data with PLC, round-off error can occur due to the difference in size.

C. Serial Type

- Total length of Serial is 58 bytes respectively. The byte index ranges from 186 to 243.
- It is normally used for Serial Number.
- When OACIS writes Serial numbers to PLC, CR(0x0D) should be added in the last byte of serial bytes. On the contrary, if it reads from PLC, LF(0x0A) should be added.
- If you want to send "ABCD" as a serial number to OACIS, you need to update the tags as below.
Byte[186] = A / Byte[187] = B / Byte[188] = C / Byte[189] = D / Byte[190] = 0x0A

| Write (OACIS → PLC) | | | | | | | | | |
|---------------------|----------------------------|----------------|------------|-------------------|------------------------|-----|-------|--------------------|---------------------------|
| Type | Length (Items) | Length (Bytes) | Byte Index | Bit Index | Command | | | | |
| DO | 48 | 6 | 0 | 0 | Home OK | | | | |
| | | | | 1 | Program Home OK | | | | |
| | | | | 2 | Ready | | | | |
| | | | | 3 | Error | | | | |
| | | | | 4 | Program End | | | | |
| | | | | 5 | E-Stop | | | | |
| | | | | 6 | Heartbeat | | | | |
| | | | 7 | Reserved | | | | | |
| | | | 1 | | | | 0 | Program Set Out 1 | |
| | | | | | | | 1 | Program Set Out 2 | |
| | | | | | | | 2 | Program Set Out 4 | |
| | | | | | | | 3 | Program Set Out 8 | |
| | | | | | | | 4 | Program Set Out 16 | |
| | | | | | | | 5 | Program Set Out 32 | |
| | | | | | | | 6 | Program Set Out 64 | |
| | | | 7 | Reserved | | | | | |
| | | | 2 | | | | 0 | Programmable DO 1 | |
| | | | | | | | 1 | Programmable DO 2 | |
| | | | | | | | 2 | Programmable DO 3 | |
| | | | | | | | 3 | Programmable DO 4 | |
| | | | | | | | 4 | Programmable DO 5 | |
| | | | | | | | 5 | Programmable DO 6 | |
| | | | | | | | 6 | Programmable DO 7 | |
| | | | 7 | Programmable DO 8 | | | | | |
| | | | 3 | | | | 0 | Programmable DO 9 | |
| | | | | | | | 1 | Programmable DO 10 | |
| | | | | | | | 2 | Programmable DO 11 | |
| | | | | | | | 3 | Programmable DO 12 | |
| 4 | Programmable DO 13 | | | | | | | | |
| 5 | Programmable DO 14 | | | | | | | | |
| 6 | Reserved | | | | | | | | |
| 7 | Reserved | | | | | | | | |
| 4 | | | | 0 | Status Binary 1 | | | | |
| | | | | 1 | Status Binary 2 | | | | |
| | | | | 2 | Status Binary 4 | | | | |
| | | | | 3 | Status Binary 8 | | | | |
| | | | | 4 | Status Binary 16 | | | | |
| | | | | ... | | | | | |
| | | | | 7 | Reserved | | | | |
| 5 | | | | 0 | Connection to OACIScom | | | | |
| | | | | 1 | Axis Moving | | | | |
| | | | | ... | | | | | |
| | | | | 7 | Reserved | | | | |
| | | | | Real | 45 | 180 | 6 ~ 9 | | Fieldbus Out 1 (Variable) |
| | | | | | | | | | Fieldbus Out 2 (Variable) |
| | | | | | | | | | ... |
| | Fieldbus Out 45 (Variable) | | | | | | | | |
| Serial | 1 | 58 | 186 ~ 243 | | ASCII | | | | |

MISC

| Read (PLC → OACIS) | | | | | | | | |
|--------------------|--------------------|----------------|------------|-----------|---------------------------|--|---|--------------------|
| Type | Length (Items) | Length (Bytes) | Byte Index | Bit Index | Command | | | |
| DI | 48 | 6 | 0 | 0 | Program Start | | | |
| | | | | 1 | Program Stop | | | |
| | | | | 2 | Return Home | | | |
| | | | | 3 | Reset | | | |
| | | | | 4 | Program Set Strobe | | | |
| | | | | 5 | Reserved | | | |
| | | | | 6 | Reserved | | | |
| | | | | 7 | Reserved | | | |
| | | | 1 | | | | 0 | Program Set In 1 |
| | | | | | | | 1 | Program Set In 2 |
| | | | | | | | 2 | Program Set In 4 |
| | | | | | | | 3 | Program Set In 8 |
| | | | | | | | 4 | Program Set In 16 |
| | | | | | | | 5 | Program Set In 32 |
| | | | | | | | 6 | Program Set In 64 |
| | | | | | | | 7 | Reserved |
| | | | 2 | | | | 0 | Programmable DI 1 |
| | | | | | | | 1 | Programmable DI 2 |
| | | | | | | | 2 | Programmable DI 3 |
| | | | | | | | 3 | Programmable DI 4 |
| | | | | | | | 4 | Programmable DI 5 |
| | | | | | | | 5 | Programmable DI 6 |
| | | | | | | | 6 | Programmable DI 7 |
| | | | | | | | 7 | Programmable DI 8 |
| | | | 3 | | | | 0 | Programmable DI 9 |
| | | | | | | | 1 | Programmable DI 10 |
| | | | | | | | 2 | Programmable DI 11 |
| | | | | | | | 3 | Programmable DI 12 |
| 4 | Programmable DI 13 | | | | | | | |
| 5 | Programmable DI 14 | | | | | | | |
| 6 | Reserved | | | | | | | |
| 7 | Reserved | | | | | | | |
| 4 | | | | 0 | ICAutoResetBit | | | |
| | | | | 1 | Disable PC Command | | | |
| | | | | 2 | Reserved | | | |
| | | | | 3 | Reserved | | | |
| | | | | 4 | Reserved | | | |
| | | | | 5 | Reserved | | | |
| | | | | 6 | Reserved | | | |
| | | | | 7 | Reserved | | | |
| 5 | 0 ~ 7 | Reserved | | | | | | |
| Real | 45 | 180 | 6 ~ 9 | | Fieldbus In 1 (Variable) | | | |
| | | | 10 ~ 13 | | Fieldbus In 2 (Variable) | | | |
| | | | ... | | | | | |
| | | | 182 ~ 185 | | Fieldbus In 45 (Variable) | | | |
| Serial | 1 | 58 | 186 ~ 243 | | ASCII | | | |

REVISION

v1.00: Engineering Released

v1.01(JUN. 28. 2017)

- Added Information in Appendix #1 chart

v1.02(AUG. 12. 2017)

- Changed information in Appendix #1 chart

- Added Information in 1-A

v1.03(AUG. 17. 2017)

- RSLogix5000 Picture changed in I

v1.04(AUG. 18. 2017)

- Explanation modified in I.A

v1.05(NOV. 10. 2017)

- Added Information in Appendix #1

v1.06(Aug. 16. 2018)

- OACIS-1XC Released

- Page Format Updated

v1.07(Oct. 14. 2019)

- Overall system image modified in I.A

v1.08(Nov. 22. 2022)

- Documentation Title modified

v1.09(Nov. 23. 2023)

- Anybus Datamap Updated in Appendix #1

v1.10(Oct. 30. 2025)

- Anybus Datamap Updated in Appendix #1